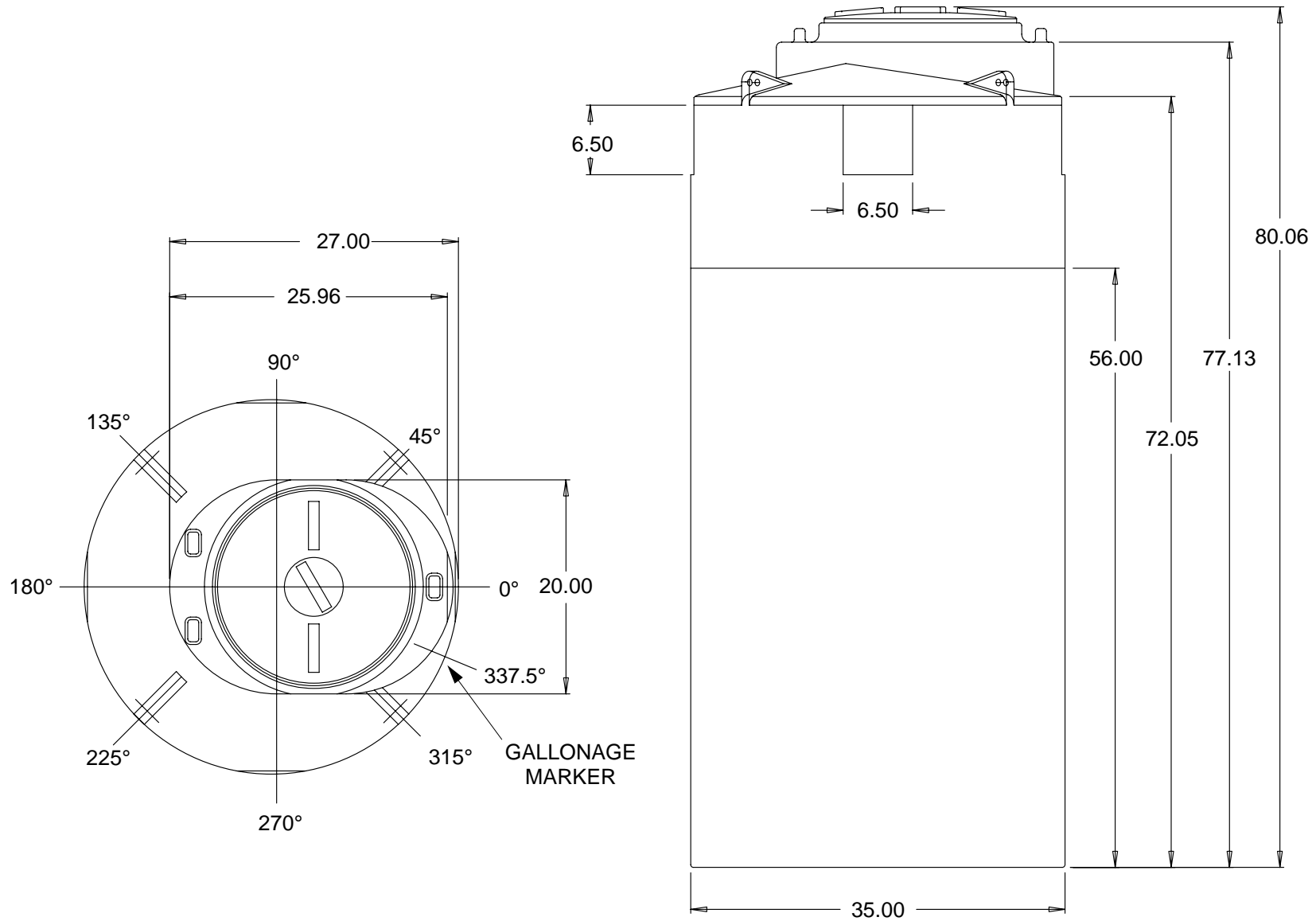


18" Threaded Vented Manway with 15" Access



(all dimensions in inches)

PART #VST163-300

REF#: 0000 - 02/21/06

WHITE HDLPE - 1.9 SG

TEL. (800) 942-9249 FAX. (877) 314-7851

## 300 GALLON VERTICAL STORAGE TANK

# TECHNOCORP