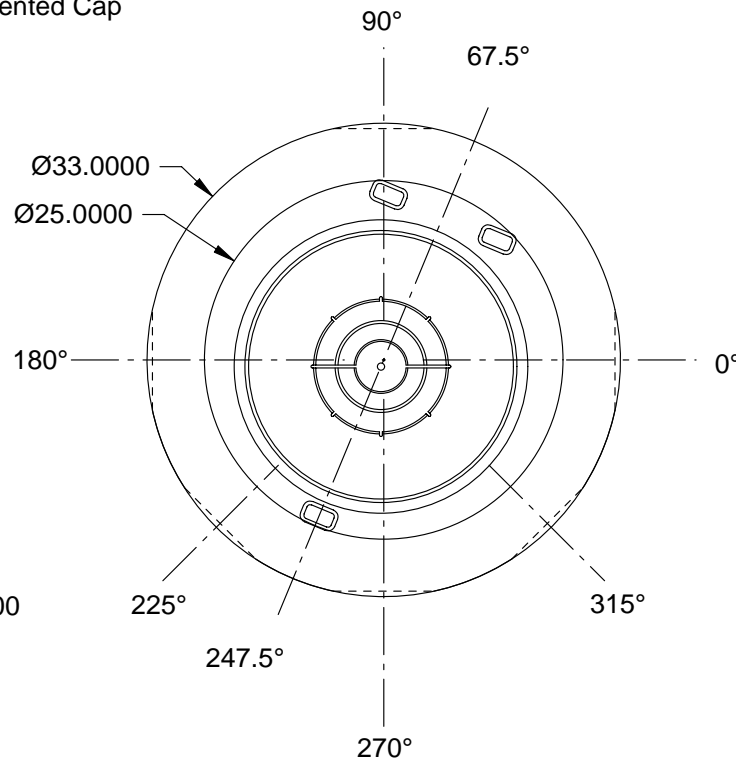
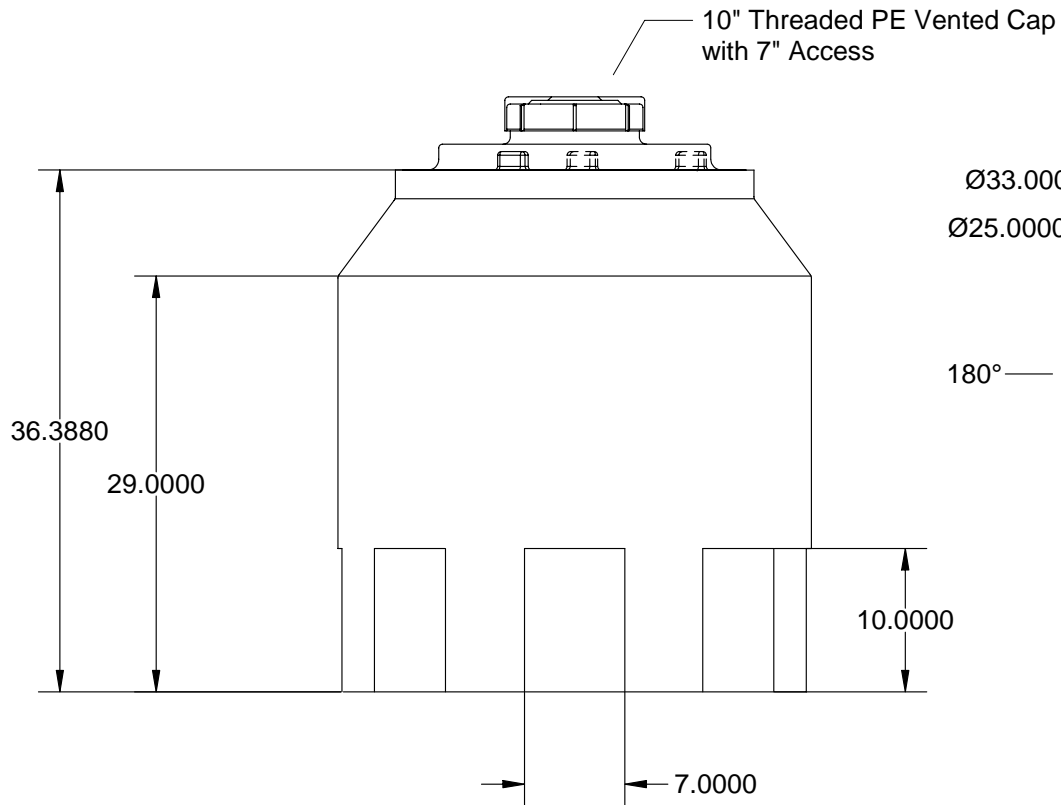


TECHNICAL



(all dimensions in inches)

PART #VST8010-110 - WHITE HDLPE 1.9 SG
REF#: 0000 - 02/21/06

TEL. (800) 942-9249 FAX. (877) 314-7851

110 GALLON VERTICAL STORAGE TANK